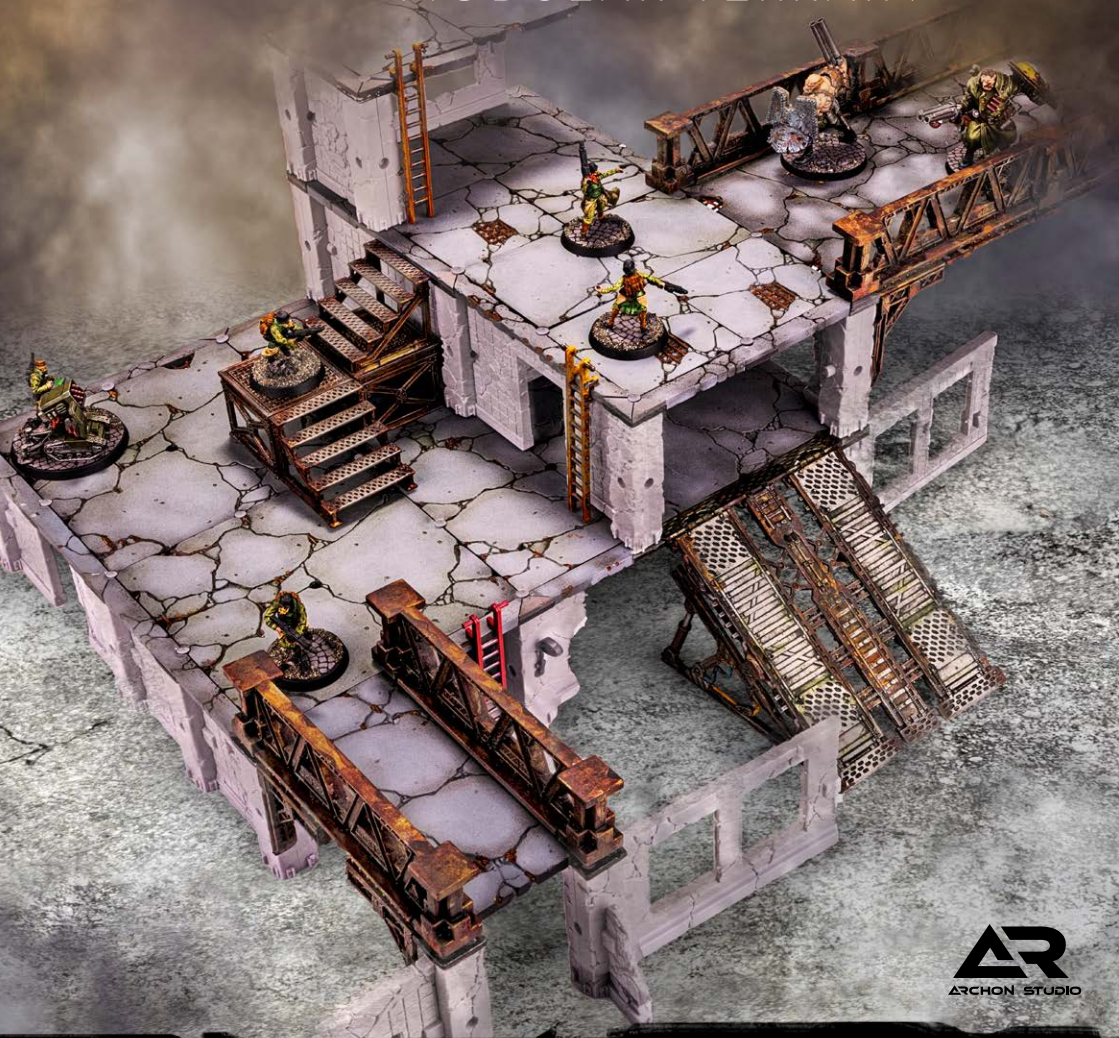


RAMPART™ MODULAR TERRAIN



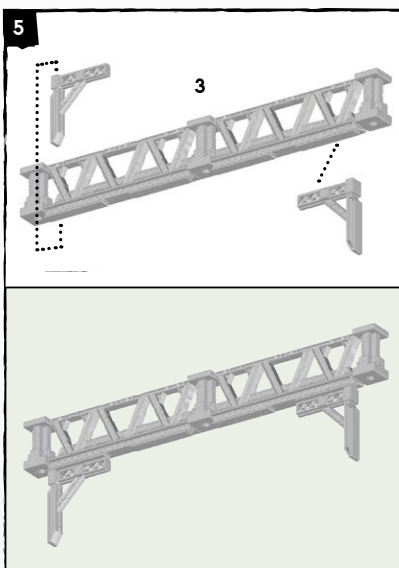
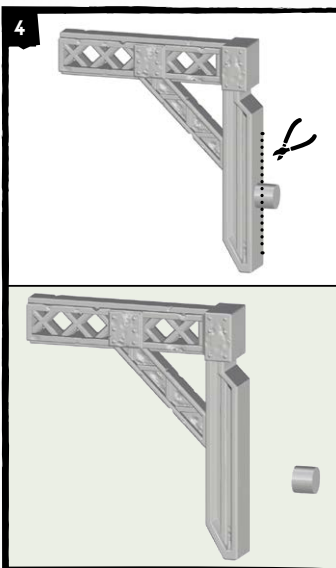
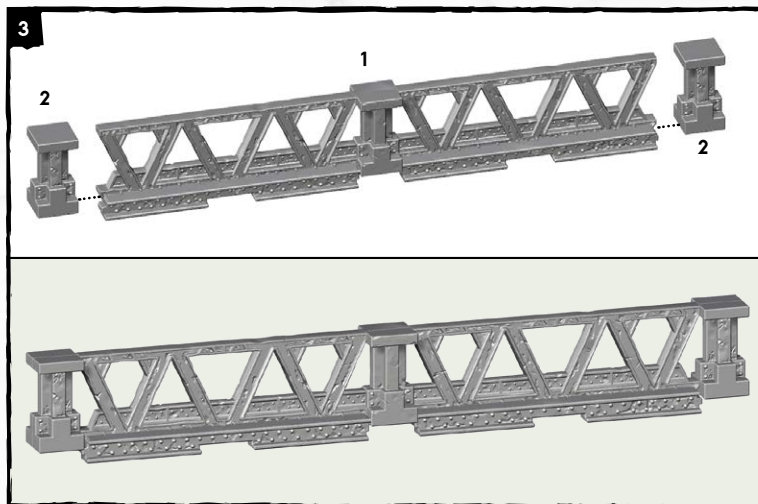
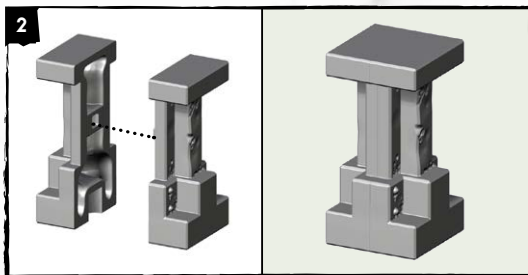
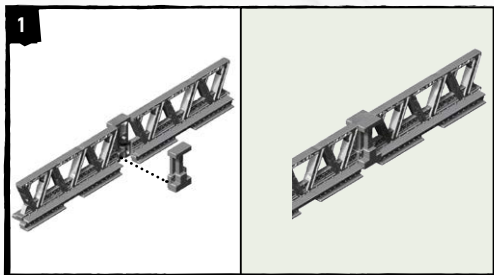

ARCHON STUDIO

Vertical Expansion

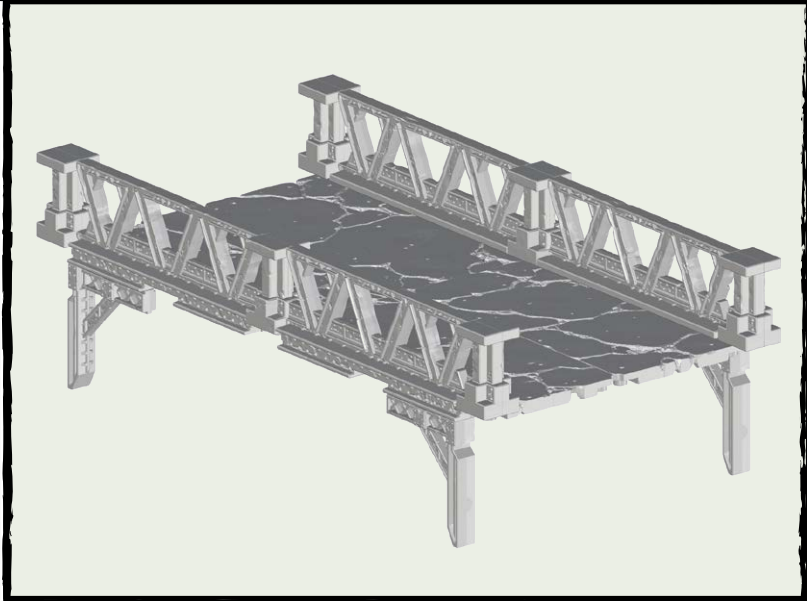
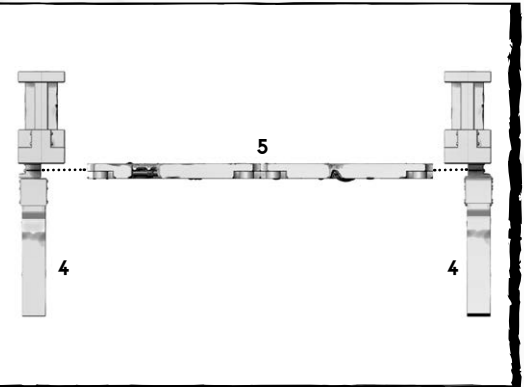
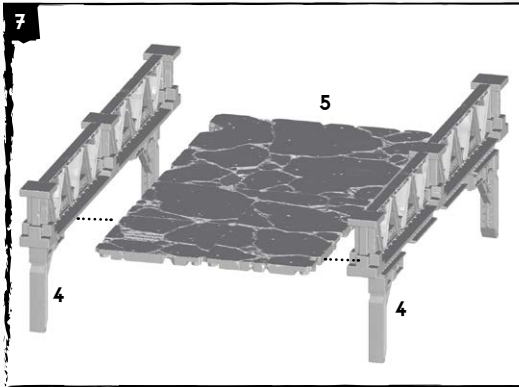
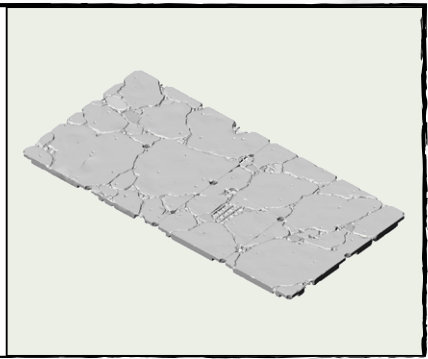
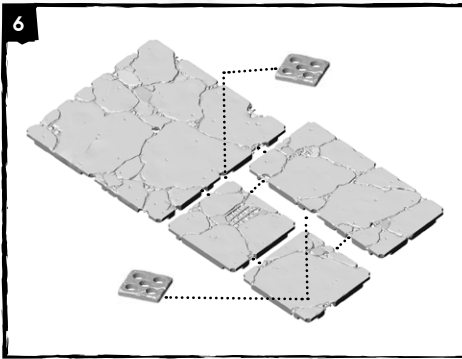
Models Assembling Manual

101
PARTS

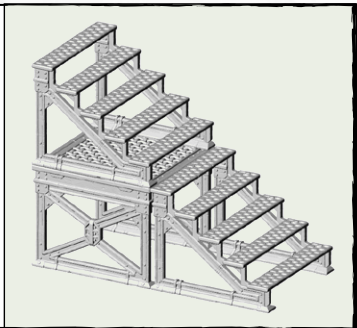
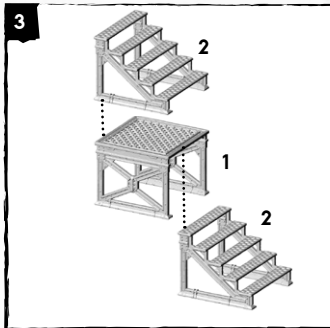
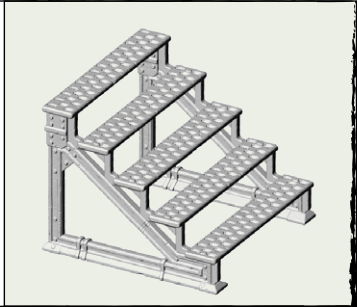
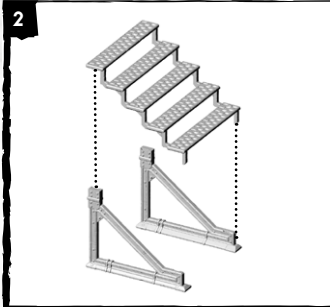
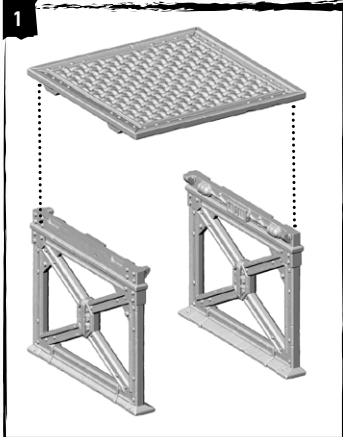
BRIDGE



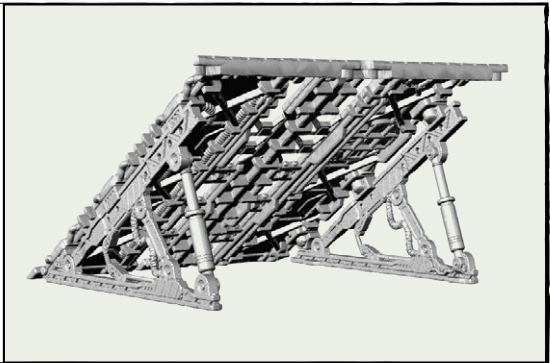
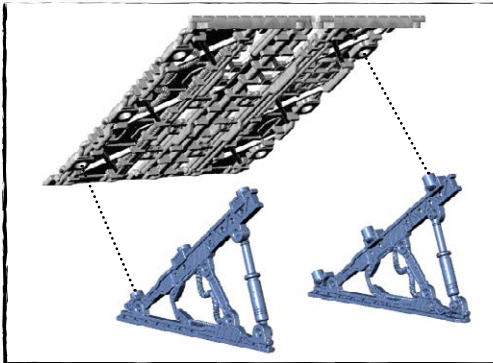
Use modeling clippers
Read before assembly



FUNCTIONAL STAIRS



VERTICAL RAMP SET



FUNCTIONAL FLOORS

